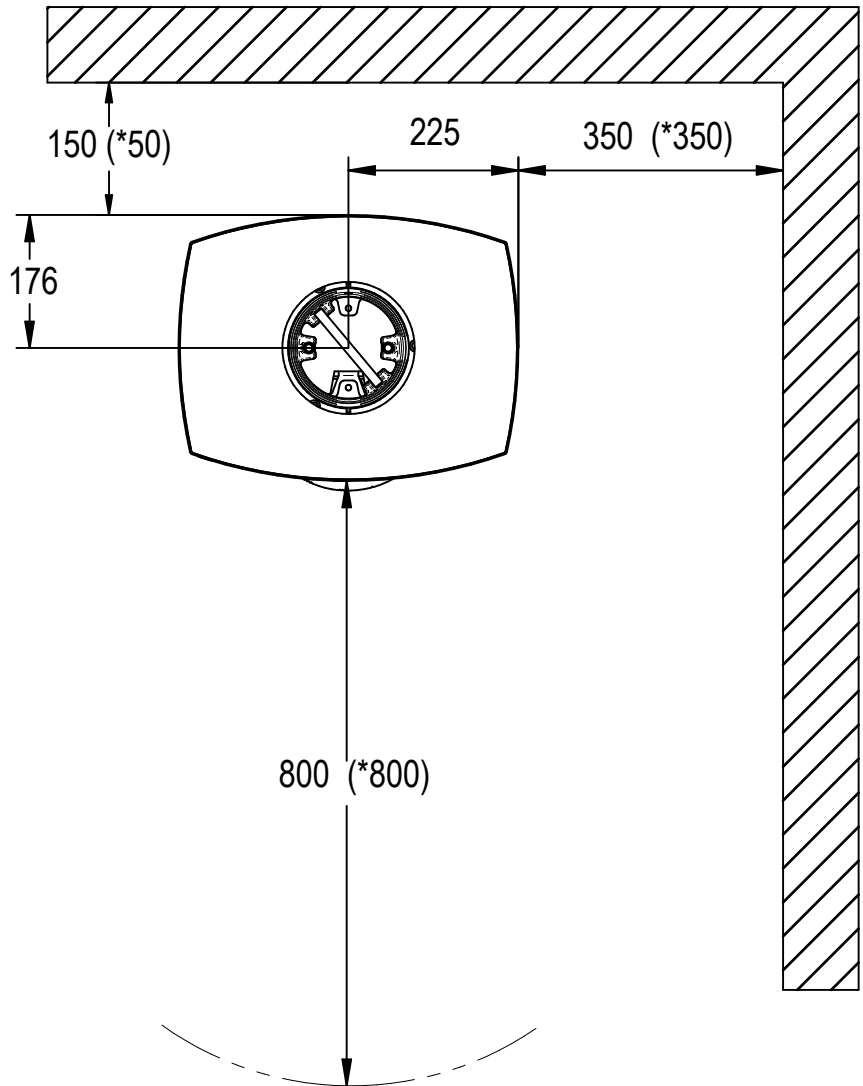


Model:

Bella with side glass

Sheet/Sheets: 1 / 2

Date: 25/02-2026



\* The number given in parentheses shows the distance to combustible when tilted with insulated flue