

ALFA



4 PIZZE

LEGNA - WOOD

COPPER
FX4P-LRAM-T

GREY
FX4P-LGRI-T



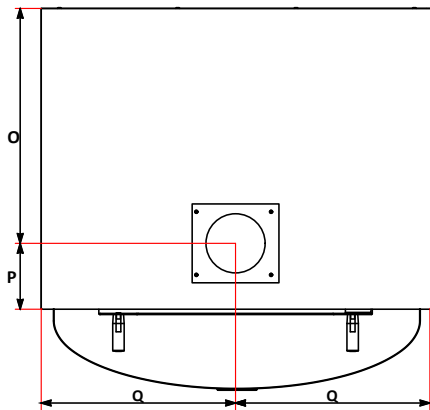
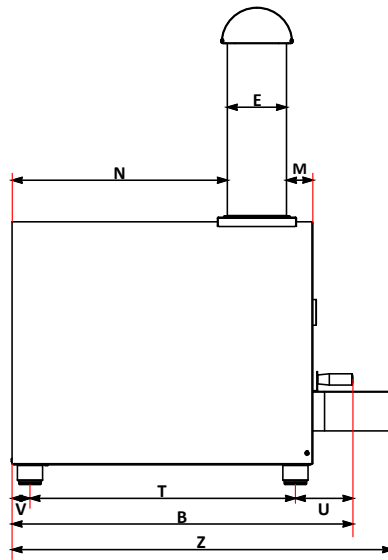
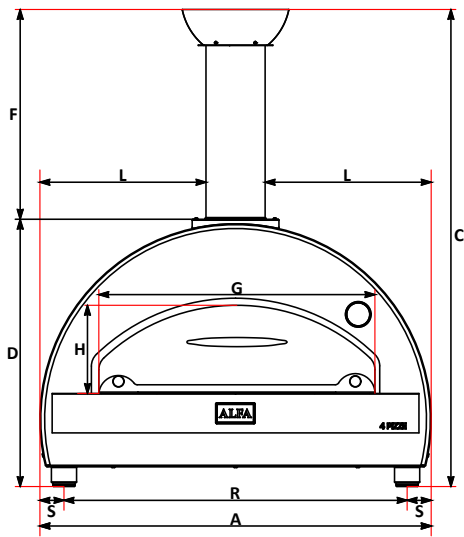
conforme a UNI 10474 e EN 13229
UNI 10474 and EN 13229 compliant



CARATTERISTICHE TECNICHE - TECHNICAL DETAILS

Peso <i>Weight</i>	125 kg 275 lbs	Materiali utilizzati <i>Used material</i>	lamiera ferro. acciaio inox. fibra ceramica <i>iron sheet. stainless steel. ceramic fiber</i>
Area piano forno <i>Oven floor area</i>	0.48 m ² 5.1 ft ²	Tipo di refrattario <i>Type of refractory</i>	Tavella silico-alluminoso <i>Alumina silicate bricks</i>
Dim. piano forno <i>Oven floor dim.</i>	80 x 60 cm 31.5 x 23.6 in	Combustibile consigliato <i>Recommended fuel</i>	Cocchi diam. Max 5 cm. potature <i>Max 1.9 in diam. logs. trimmings</i>
Minuti per scaldare <i>Heating time (min)</i>	20	Carica nominale <i>Rated charge</i>	8.3 kg/h 18.3 Lbs/h
N° pizze alla volta <i>Pizza capacity</i>	4	Tiraggio minimo <i>Minimum flue draught</i>	11 Pa
Infornata di pane <i>Bread capacity</i>	4 kg 8.8 lbs	Flusso volumetrico fumi <i>Flue smokes mass flow</i>	49.6 g/s
Temperatura massima <i>Max oven temperature</i>	500°C 1000°F	Emissioni CO al 13% O₂ <i>CO emission at 13% O₂</i>	0.35% 4444 mg/Nm ³
Consumo medio <i>Average fuel consumption</i>	4 kg/h 8.8 lbs/h	Temperatura fumi <i>Smoke temperature</i>	395°C 743°F

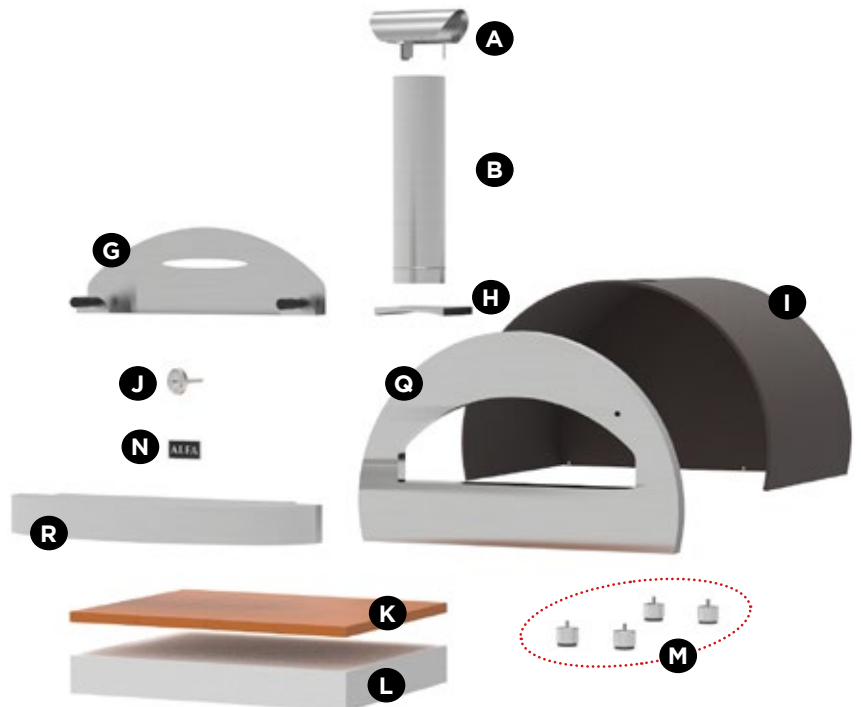
MISURE - DIMENSIONS



A	99.2 cm 39.1 in	N	54.5 cm 21.5 in
B	86.4 cm 34 in	O	49.6 cm 19.5 in
C	121 cm 47.6 in	P	16.7 cm 6.6 in
D	67.7 cm 26.7 in	Q	59.5 cm 23.4 in
Ø E	15 cm 5.9 in	R	87 cm 34.3 in
F	53.3 cm 21 in	S	6.1 cm 2.4 in
G	70 cm 27.6 in	T	67.3 cm 26.5 in
H	22.3 cm 8.8 in	U	14.5 cm 5.7 in
L	42.1 cm 16.6 in	V	4.5 cm 1.8 in
M	6.7 cm 2.6 in	Z	96.5 cm 38 in

PARTI DI RICAMBIO - SPARE PARTS

Descrizione Description		Codice Code
Comignolo Chimney cap	A	SPZP_01_024
Canna fumaria Chimney	B	TI150_750_SAT
Sportello Door	G	SSML-01-044
Flangia Flange	H	FML_01_070
Carter esterno Rame External shell Copper	I	SCRT-01-026-RA
Carter esterno Grigio External shell Grey	I	SCRT-01-026-GR
Termometro Thermometer	J	YT63-135
Mattoni 30x20 cm Red bricks 30x20 cm	K	RRA3020
Gasbeton	L	FCGSB602515
Piedini Feet (n.4)	M	SETPIE-M10X20
Logo Alfa (v1.0)	N	D14PLAC-ALFA
Archetto Arch	Q	SSML-01-040
Davanzale Sill	R	SSML-01-041



ALFA



4 PIZZE

LEGNA - WOOD

COPPER
FX4PIZ-LRAM

ANTIQUE RED
FX4PIZ-LROA



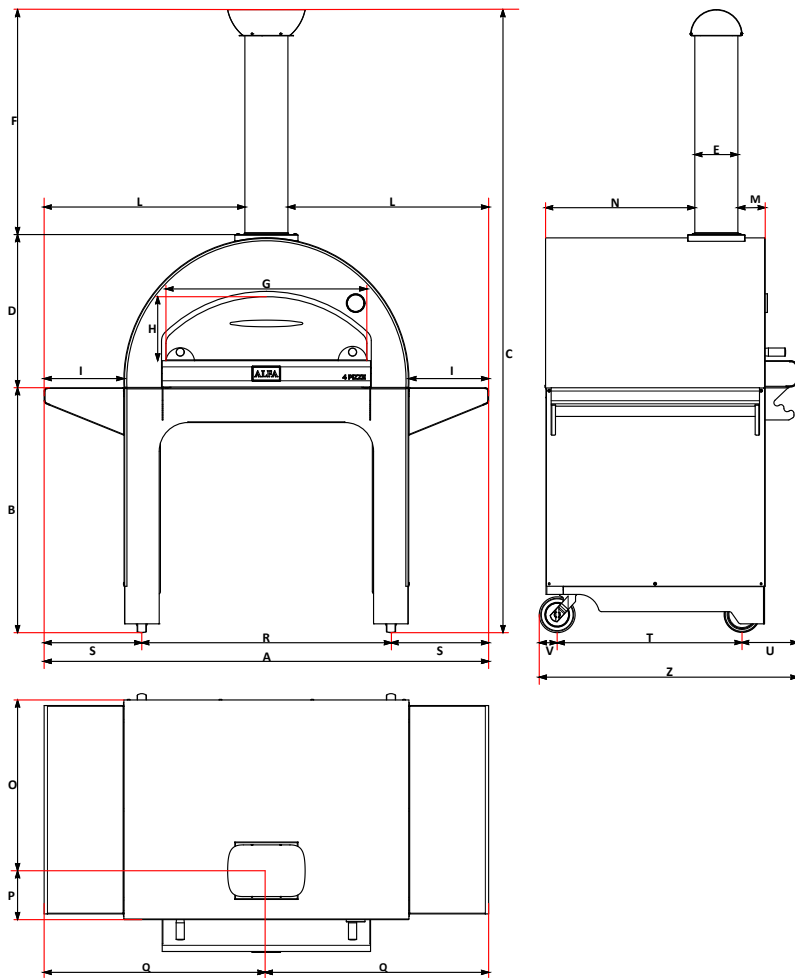
conforme a UNI 10474 e EN 13229
UNI 10474 and EN 13229 compliant



CARATTERISTICHE TECNICHE - TECHNICAL DETAILS

Peso <i>Weight</i>	195 kg 429 lbs	Materiali utilizzati <i>Used material</i>	lamiera ferro. acciaio inox. fibra ceramica <i>iron sheet. stainless steel. ceramic fiber</i>
Area piano forno <i>Oven floor area</i>	0.48 m ² 5.1 ft ²	Tipo di refrattario <i>Type of refractory</i>	Tavella silico-alluminoso <i>Alumina silicate bricks</i>
Dim. piano forno <i>Oven floor dim.</i>	80 x 60 cm 31.5 x 23.6 in	Combustibile consigliato <i>Recommended fuel</i>	Cocchi diam. Max 5 cm. potature <i>Max 1.9 in diam. logs. trimmings</i>
Minuti per scaldare <i>Heating time (min)</i>	20	Carica nominale <i>Rated charge</i>	8.3 kg/h 18.3 Lbs/h
N° pizze alla volta <i>Pizza capacity</i>	4	Tiraggio minimo <i>Minimum flue draught</i>	11 Pa
Infornata di pane <i>Bread capacity</i>	4 kg 8.8 lbs	Flusso volumetrico fumi <i>Flue smokes mass flow</i>	49.6 g/s
Temperatura massima <i>Max oven temperature</i>	500°C 1000°F	Emissioni CO al 13% O₂ <i>CO emission at 13% O₂</i>	0.35% 4444 mg/Nm ³
Consumo medio <i>Average fuel consumption</i>	4 kg/h 8.8 lbs/h	Temperatura fumi <i>Smoke temperature</i>	395°C 743°F

MISURE - DIMENSIONS



A	155 cm 61 in	N	52 cm 20.5 in
B	85.4 cm 33.6 in	O	59.6 cm 23.5 in
C	217 cm 85.4 in	P	17 cm 6.7 in
D	53.6 cm 21.1 in	Q	77.5 cm 30.5 in
Ø E	15 cm 5.9 in	R	87 cm 34.3 in
F	78.2 cm 30.8 in	S	34 cm 13.4 in
G	70 cm 27.6 in	T	64.2 cm 25.3 in
H	22.3 cm 8.8 in	U	19.7 cm 7.8 in
I	27.8 cm 10.95 in	V	6.2 cm 2.5 in
L	70 cm 27.6 in	Z	90.2 cm 35.5 in
M	9.5 cm 3.7 in		

PARTI DI RICAMBIO - SPARE PARTS

Descrizione Description		Codice Code
Comignolo Chimney cap	A	SPZP_01_024
Canna fumaria Chimney	B	TI150_750_SAT
Ruote Wheels	C	D14RUOT-125x40
Ruote Wheels	D	D14RUOT-125x40
Carter ruote sinistro Left wheels shell	E	BAS-03-0092
Carter ruote destro Right wheels shell	F	BAS-03-0093
Sportello Door	G	SSML-01-044
Flangia Flange	H	FML_01_070
Carter esterno Rame External shell Copper	I	SCRT-01-018-RA
Carter esterno Rosso External shell Red	I	SCRT-01-018-RO
Termometro Thermometer	J	YT63-135
Mattoni 30x20 cm Red bricks 30x20 cm	K	RRA3020
Gasbeton	L	FCGSB602515
Carter posteriore Rear shell	M	BAS-03-0091
Logo Alfa (v1.0)	N	D14PLAC-ALFA
Carter inferiore lower shell	O	BAS-03-0090
Arco inferiore lower arch	P	SBAS-01-015
Archetto Arch	Q	SSML-01-040
Davanzale Sill	R	SSML-01-041
Mensole laterale Destra Right side shelf	S	FML-01-089
Mensola laterale sinistra left side shelf	T	FML-01-089
Porta pale sinistro left blade holder	U	SML-03-0145
Porta pale destro right blade holder	V	SML-03-0146

